



AMONITE BOAT

SPECIFICATIONS:

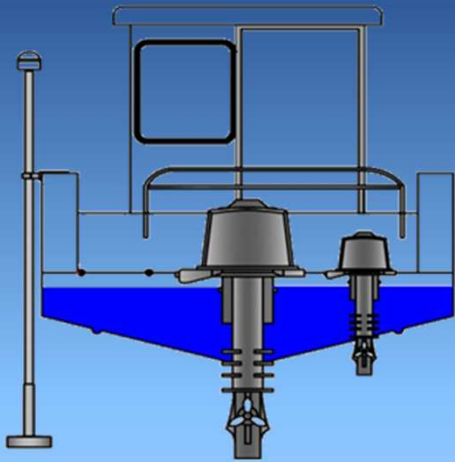


LENGTH	MT 6.50
BEAM	MT 2.43
PERSONS CAPACITY	N. 7
WEIGHT WITHOUT ENGINE	Kg 1.100
ENGINE	MAX 140 HP / 103 KW
FUEL CAPACITY	LT 100
FRESH WATER CAPACITY	LT 60
PROJECT	MASSIMO RADICE
DESIGN	STYLE PROJECT
PROJECT CATEGORY	B

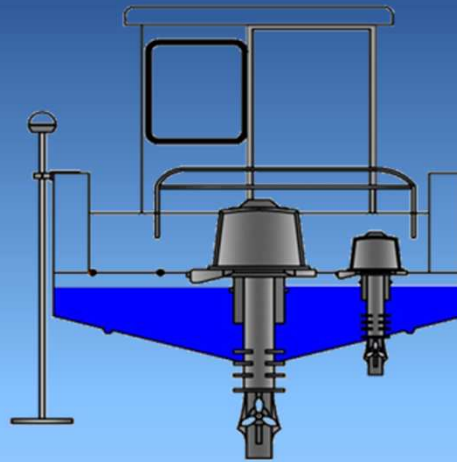
PROPELLER	13 x 19"
PASSENGERS	N. 3
PLANING TIME	4"
PLANING SPEED	15 KNOTS
CRUISING SPEED	31 KNOTS
AUTONOMY	3 H

REVS	1000	2000	2500	3000	3500	4000	4500	5000	5400
KNOTS	4	10	12	13	18	22	27	30	35
TRIM	0	2	3	4	5	2.5	25	2.5	2.5

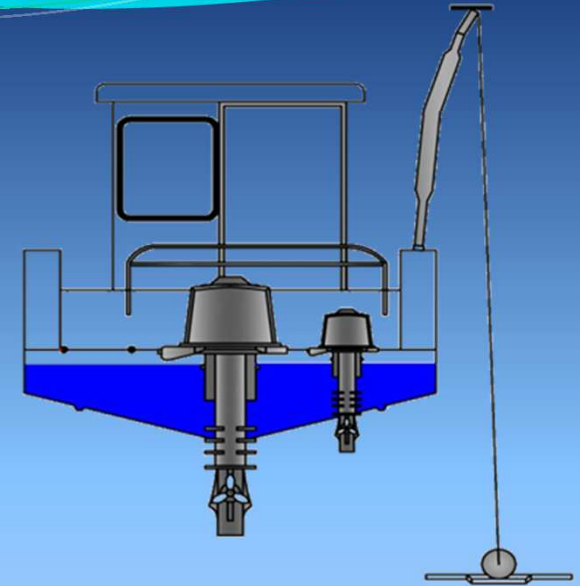
VESSEL LAYOUT



SUB BOTTOM PROFILER SYSTEM
DGPS OMNISTAR 9200 G2 DGNSS



SINGLEBEAM SYSTEM
DGPS TRIMBLE DSM132



SIDE SCAN SONAR SYSTEM
RTK TOPCON

